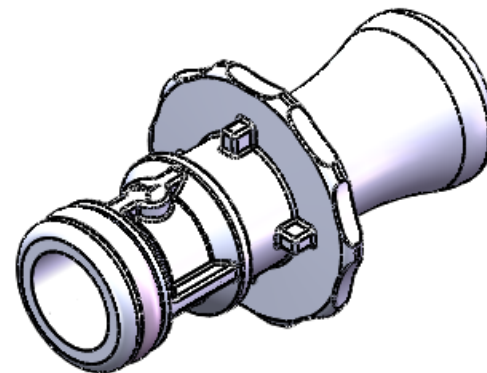
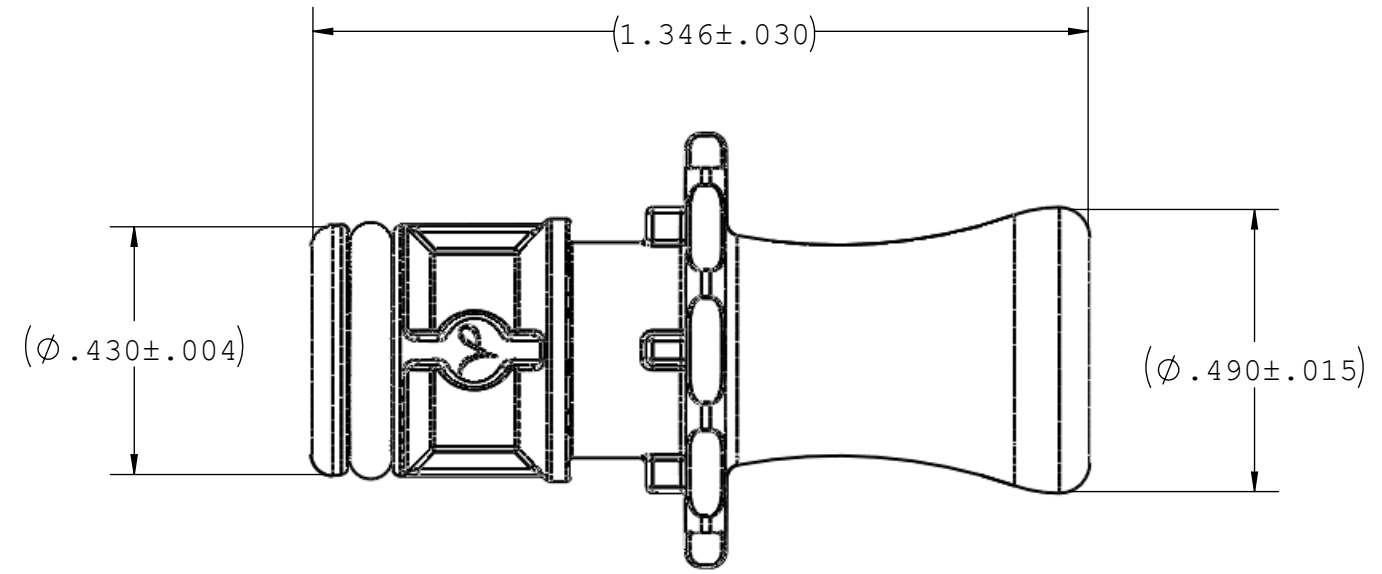
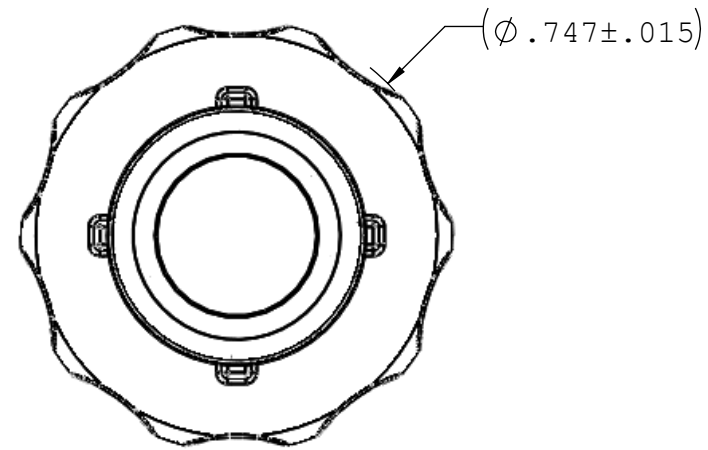


NOTES: FOR MORE DETAILS SEE YOUR V.P. SERVICE REP.

REVISIONS			
REV.	DESCRIPTION	DATE	APPROVED
A	INITIAL RELEASE	01-22-14	S.N.R



UNLESS OTHERWISE SPECIFIED DIMENSIONS ARE IN INCHES TOLERANCES ARE:		<b>VALUE PLASTICS, INC</b>						
FRACTIONS	DECIMAL					ANGULAR		
±	.XX ±.01	± 1°	PART NUMBER: RQCMP					
	.XXX ±.005		DESCRIPTION: RQC Series Male Connector Plug					
	.XXXX ±.001		DRAWN BY: Frank.Lombardi					
DO NOT SCALE DRAWING			DATE: 1/22/2014	SIZE: <b>B</b>	SCALE: NTS	VER:	DWG. NO. 1027984	REV: A
MANAGER: Ravi Narayanan			© 2013 VALUE PLASTICS, INC				SHEET: 1 OF 1	

**FOR REFERENCE ONLY**